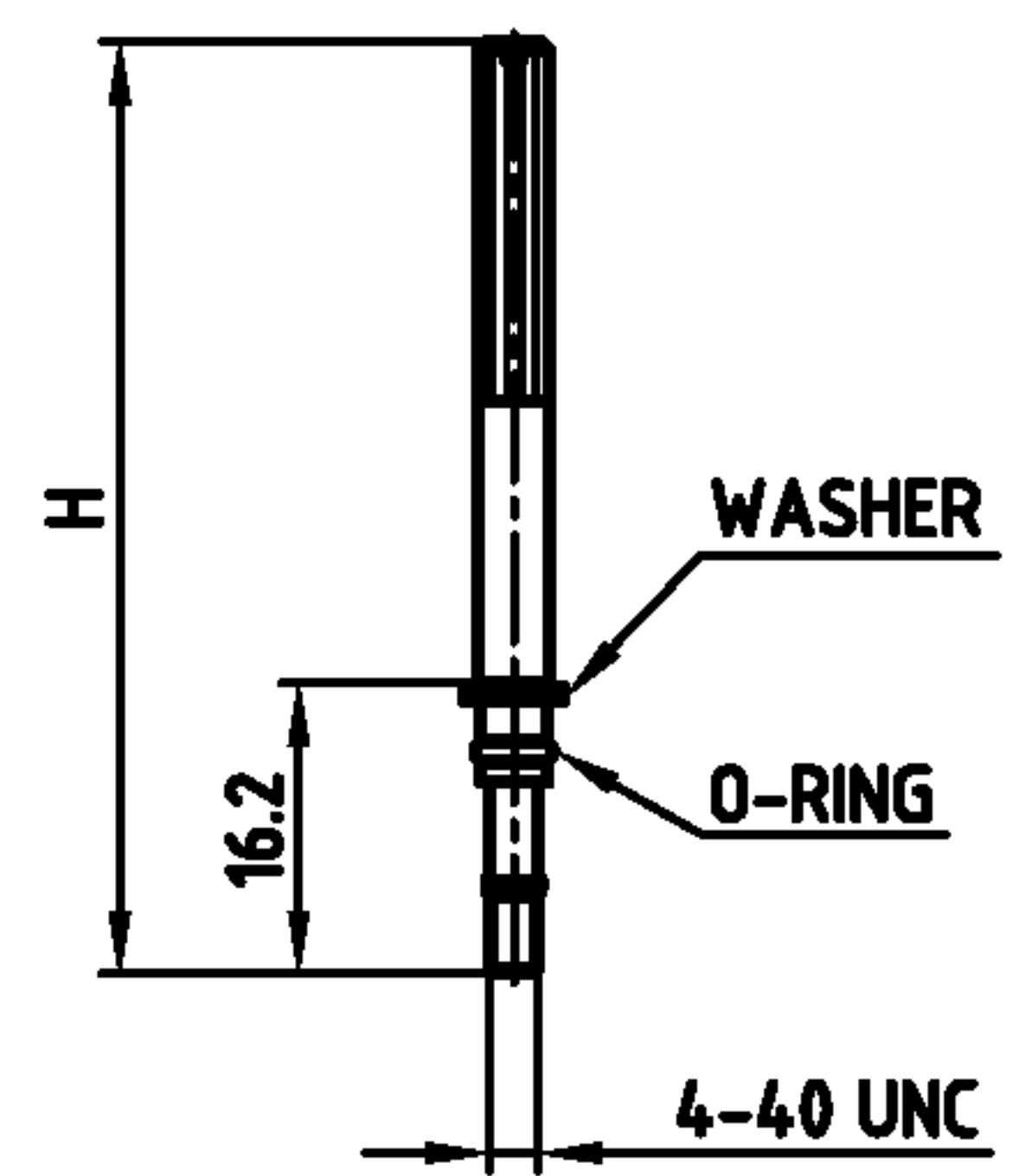


used for: D-SUB



JACK SCREW
INCL. WASHER AND O-RING

Shellsize	A	B	C	∅D	E	F	G ⁺¹ / ₋₃	H	Cable ∅	Part NO.
1	40.76	25.0	22	24.6	51.0	22.0	77.0	44.0	5 - 10	165X14819XE
2	49.06	33.3	24	26.5	51.0	22.0	79.0	52.0	6 - 12	165X14829XE
3	62.80	47.04	24	26.5	59.5	22.0	87.5	52.0	6 - 12	165X14839XE
4	78.86	63.5	33	36.2	67.0	22.0	99.0	52.0	9 - 16	165X14849XE
5	76.46	61.1	42	47.0	67.0	24.8	107.0	52.0	13 - 20	165X14859XE

Directive 2002/95/EC
„RoHS“
Compliant

NOTES:
1. HOOD: PBT + GF, BLACK
2. SCREWS: STAINLESS STEEL

APPROVAL * FREIGABE * DESBLOCAGE * AUTORIZACION * APPROVAL

CUSTOMER APPROVAL DATE:

NAME: TITLE:

COMPANY NAME:

APPROVAL * FREIGABE * DESBLOCAGE * AUTORIZACION * APPROVAL

THIS DRAWING MAY NOT BE COPIED OR REPRODUCED IN ANY WAY, AND MAY NOT BE PASSED ON TO A THIRD PARTY WITHOUT WRITTEN PERMISSION.
OWNERSHIP AND COPYRIGHT OF CONEC GmbH
DO NOT ALTER CAD DRAWING BY HAND

rev.	description	date	name
a	Origin		



tolerance

dim. in mm

scale: 1:1
material: SEE NOTES

title: WATER RESISTANT D-SUB HOOD
9-50pos.
with jack screw

dwg no: AutoCAD 2004
16K1A1749

part no: SEE TABLE

DIN-A 3 sh:1/1